

Right Wet Bar

Project Name _____

Location _____

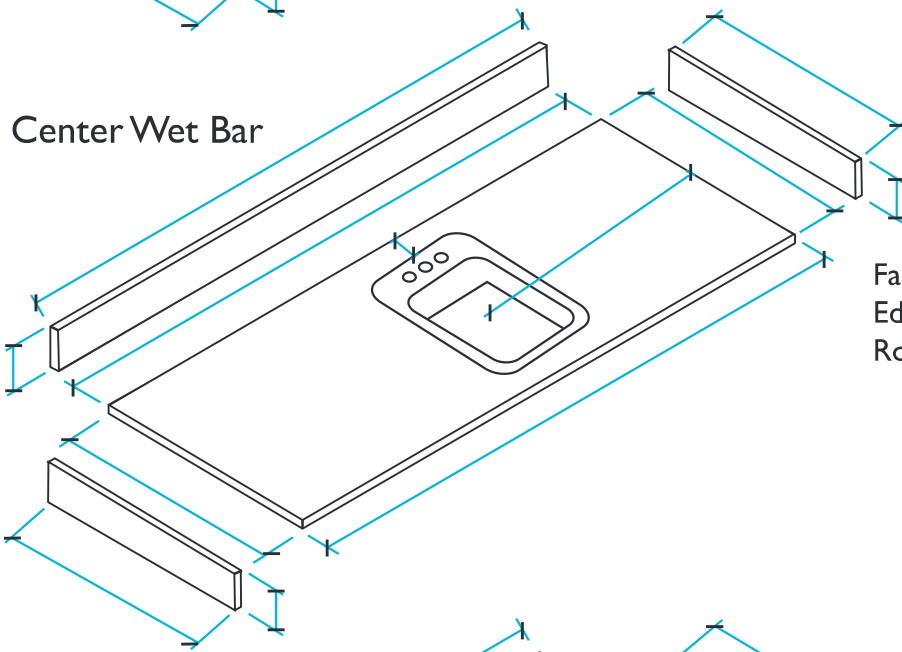
Salesman _____

Drawing # _____

Faucet _____

Edge Detail _____ (mark finished edge with an "x")

Room# _____

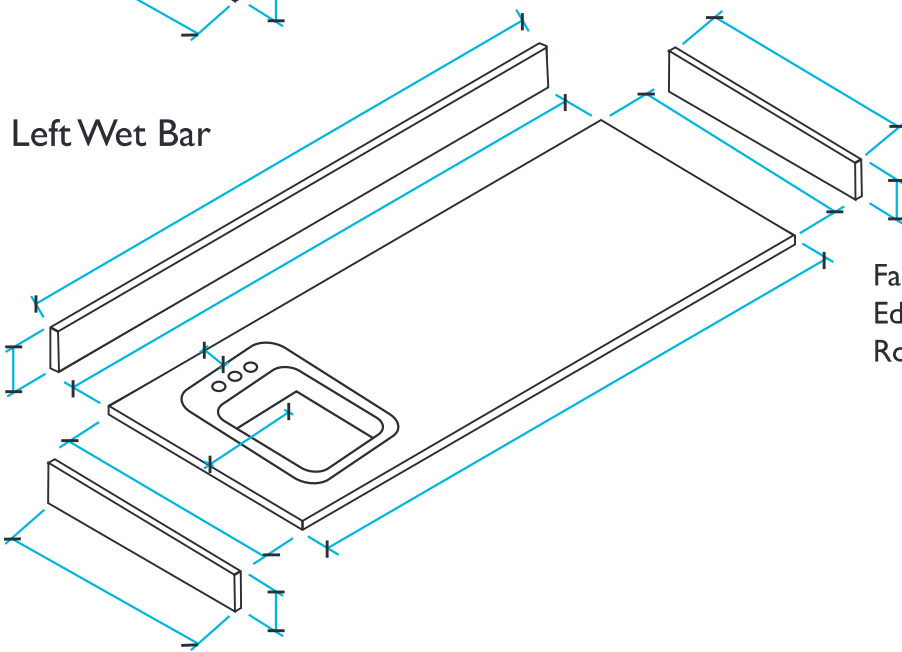


Center Wet Bar

Faucet _____

Edge Detail _____ (mark finished edge with an "x")

Room# _____



Left Wet Bar

Faucet _____

Edge Detail _____ (mark finished edge with an "x")

Room# _____
