

Project Name \_\_\_\_\_

Location \_\_\_\_\_

Salesman \_\_\_\_\_

Faucet \_\_\_\_\_

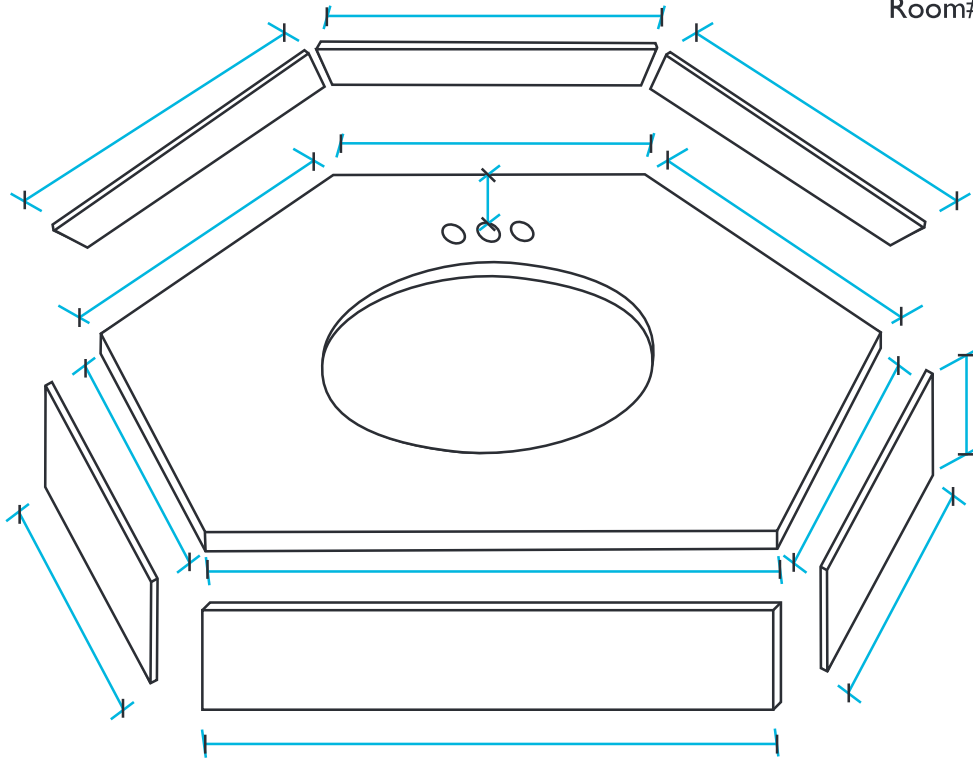
Edge Detail \_\_\_\_\_ (mark finished edge with an "x")

Toilet Paper Dispenser \_\_\_\_\_

Facial Tissue Dispenser \_\_\_\_\_

Room# \_\_\_\_\_

### Trapezoidal Corner Vanity



\_\_\_\_\_

\_\_\_\_\_

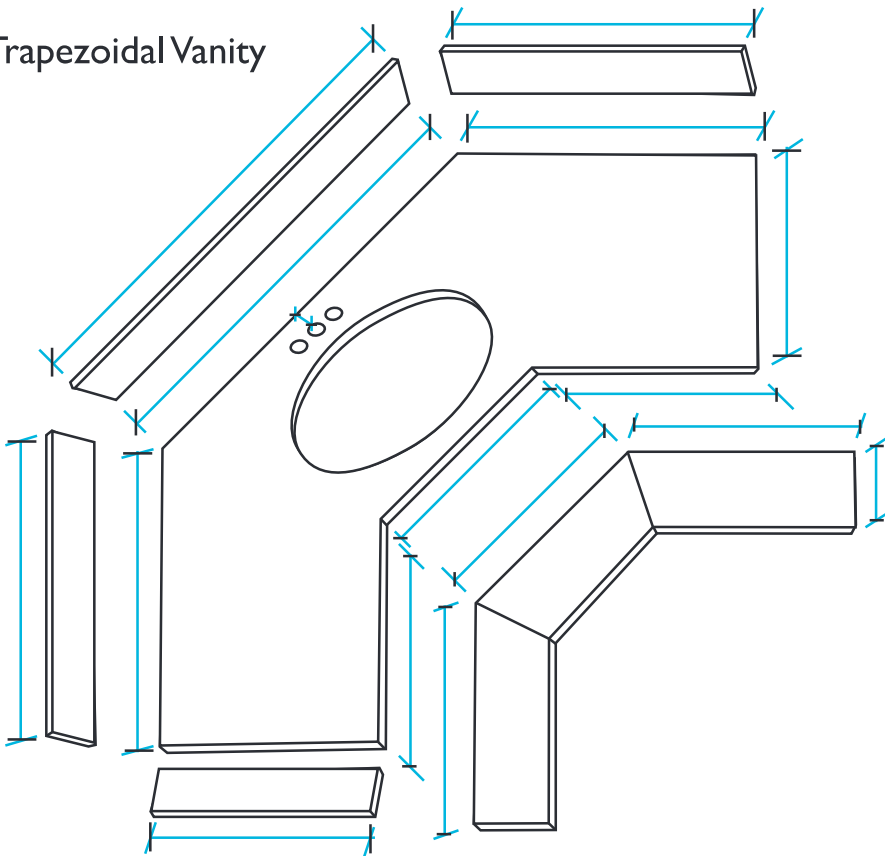
\_\_\_\_\_

\_\_\_\_\_

\_\_\_\_\_

\_\_\_\_\_

### Trapezoidal Vanity



Faucet \_\_\_\_\_

Edge Detail \_\_\_\_\_ (mark finished edge with an "x")

Toilet Paper Dispenser \_\_\_\_\_

Facial Tissue Dispenser \_\_\_\_\_

Room# \_\_\_\_\_

\_\_\_\_\_

\_\_\_\_\_

\_\_\_\_\_

\_\_\_\_\_

\_\_\_\_\_

\_\_\_\_\_