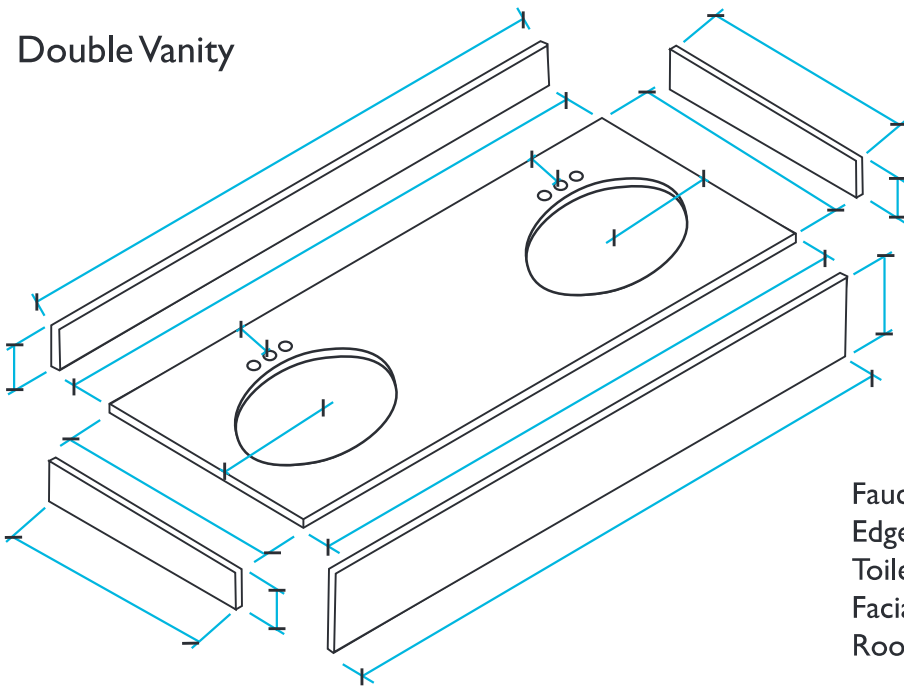


## Double Vanity



Project Name \_\_\_\_\_

Location \_\_\_\_\_

Salesman \_\_\_\_\_

Drawing # \_\_\_\_\_

Faucet \_\_\_\_\_

Edge Detail \_\_\_\_\_ (mark finished edge with an "x")

Toilet Paper Dispenser \_\_\_\_\_

Facial Tissue Dispenser \_\_\_\_\_

Room# \_\_\_\_\_

\_\_\_\_\_

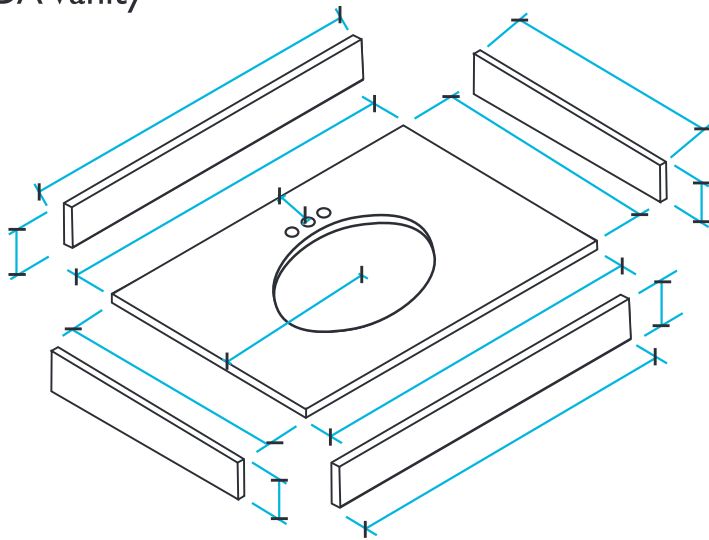
\_\_\_\_\_

\_\_\_\_\_

\_\_\_\_\_

\_\_\_\_\_

## ADA Vanity



Faucet \_\_\_\_\_

Edge Detail \_\_\_\_\_ (mark finished edge with an "x")

Toilet Paper Dispenser \_\_\_\_\_

Facial Tissue Dispenser \_\_\_\_\_

Room# \_\_\_\_\_

\_\_\_\_\_

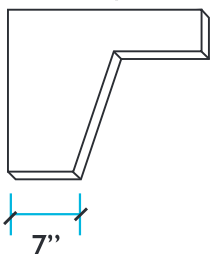
\_\_\_\_\_

\_\_\_\_\_

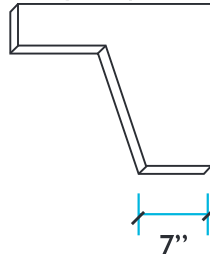
\_\_\_\_\_

\_\_\_\_\_

Left Apron



Right Apron



Polish both sides?

yes  no