

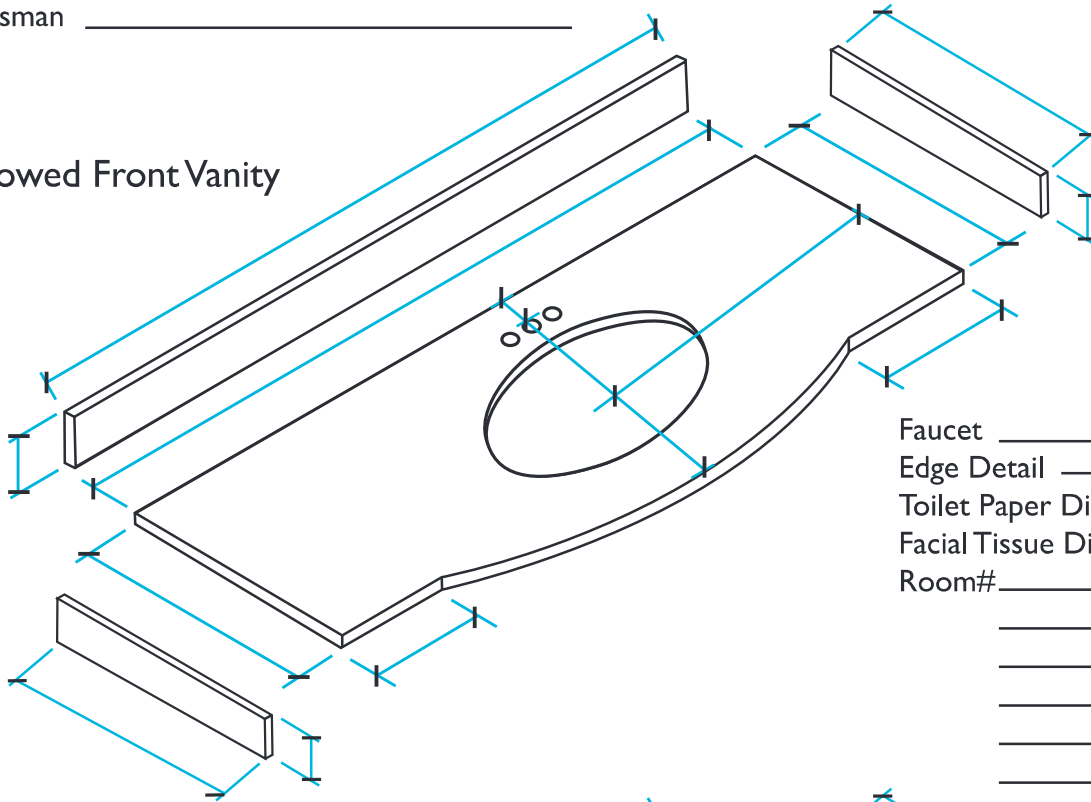
Project Name _____

Location _____

Salesman _____

Drawing # _____

Bowed Front Vanity



Faucet _____

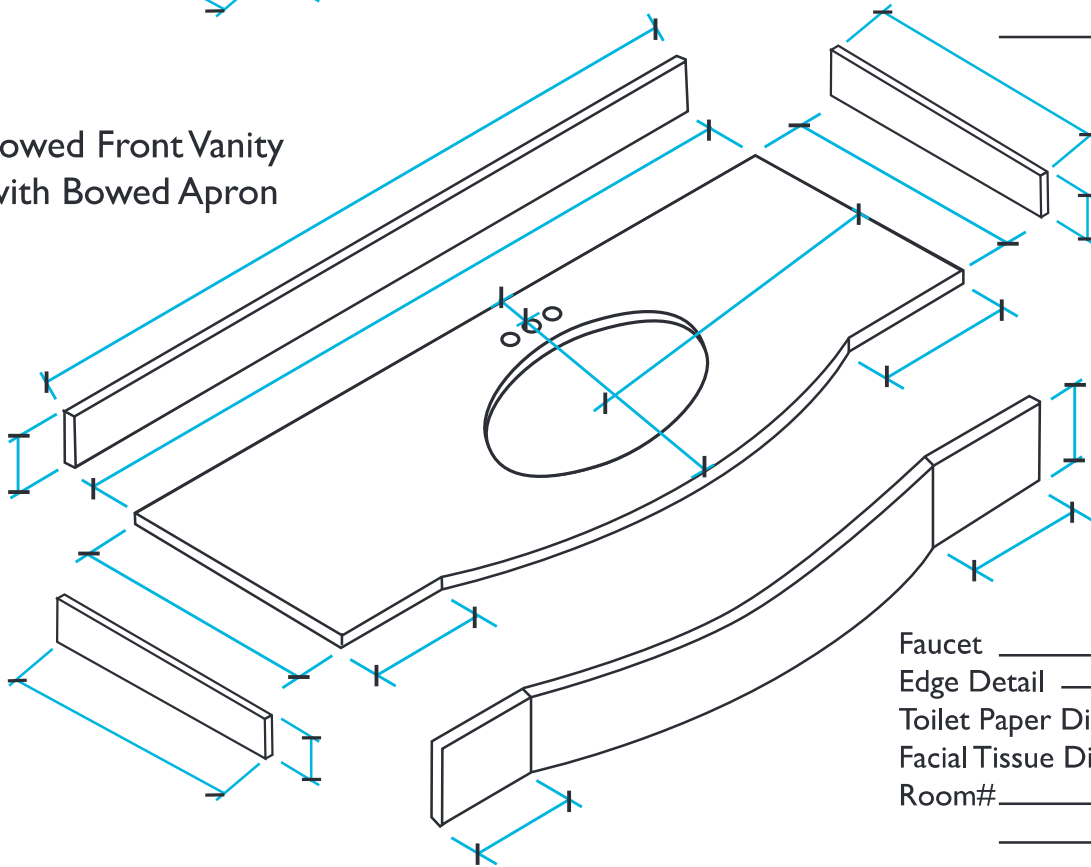
Edge Detail _____ (mark finished edge with an "x")

Toilet Paper Dispenser _____

Facial Tissue Dispenser _____

Room# _____

Bowed Front Vanity with Bowed Apron



Faucet _____

Edge Detail _____ (mark finished edge with an "x")

Toilet Paper Dispenser _____

Facial Tissue Dispenser _____

Room# _____
