

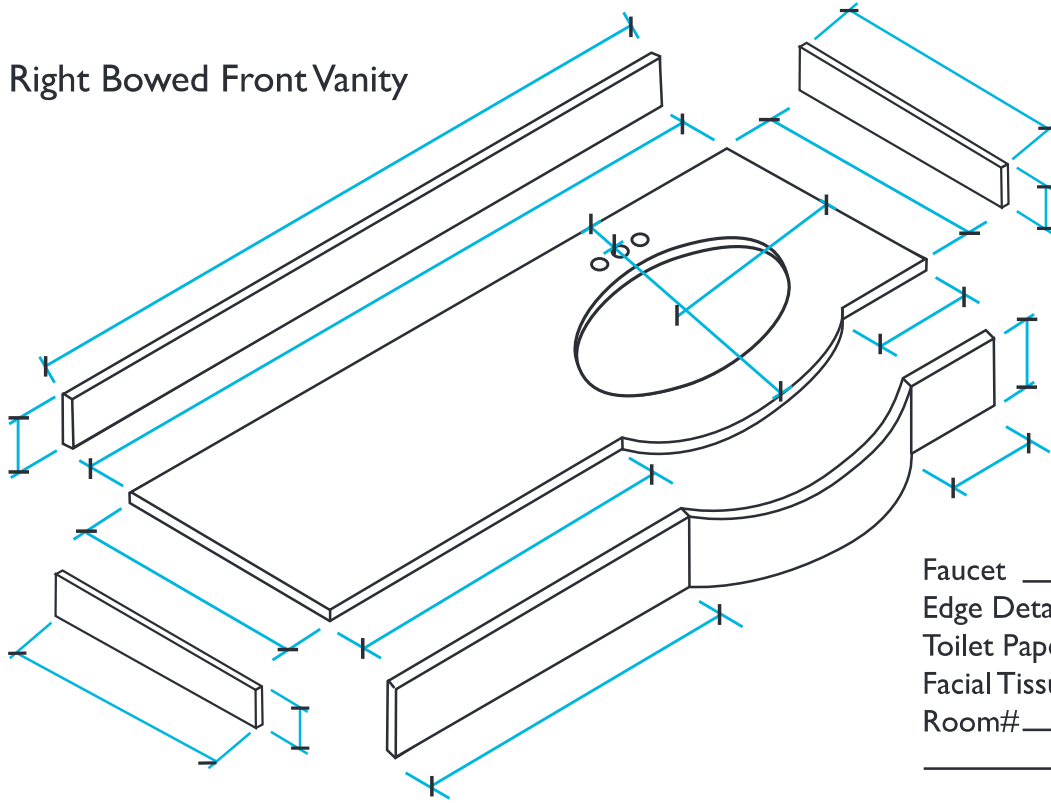
Project Name _____

Location _____

Salesman _____

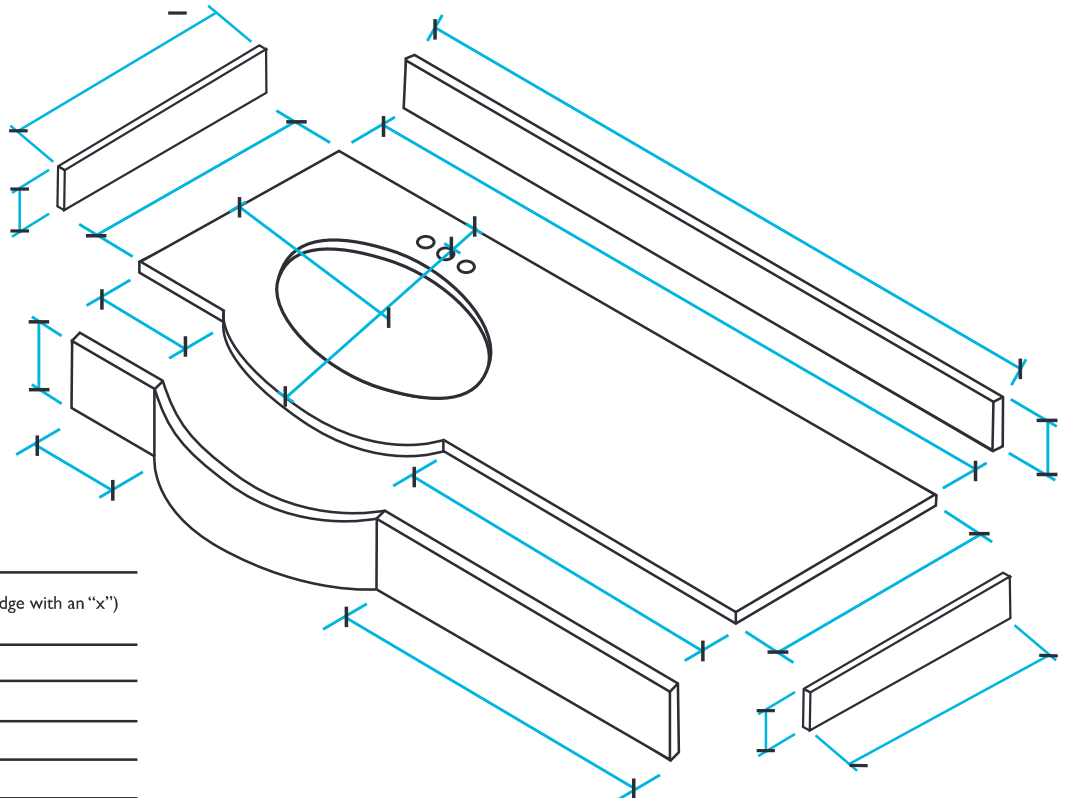
Drawing # _____

Right Bowed Front Vanity



Faucet _____
 Edge Detail _____ (mark finished edge with an "x")
 Toilet Paper Dispenser _____
 Facial Tissue Dispenser _____
 Room# _____

Left Bowed Front Vanity



Faucet _____
 Edge Detail _____ (mark finished edge with an "x")
 Toilet Paper Dispenser _____
 Facial Tissue Dispenser _____
 Room# _____

