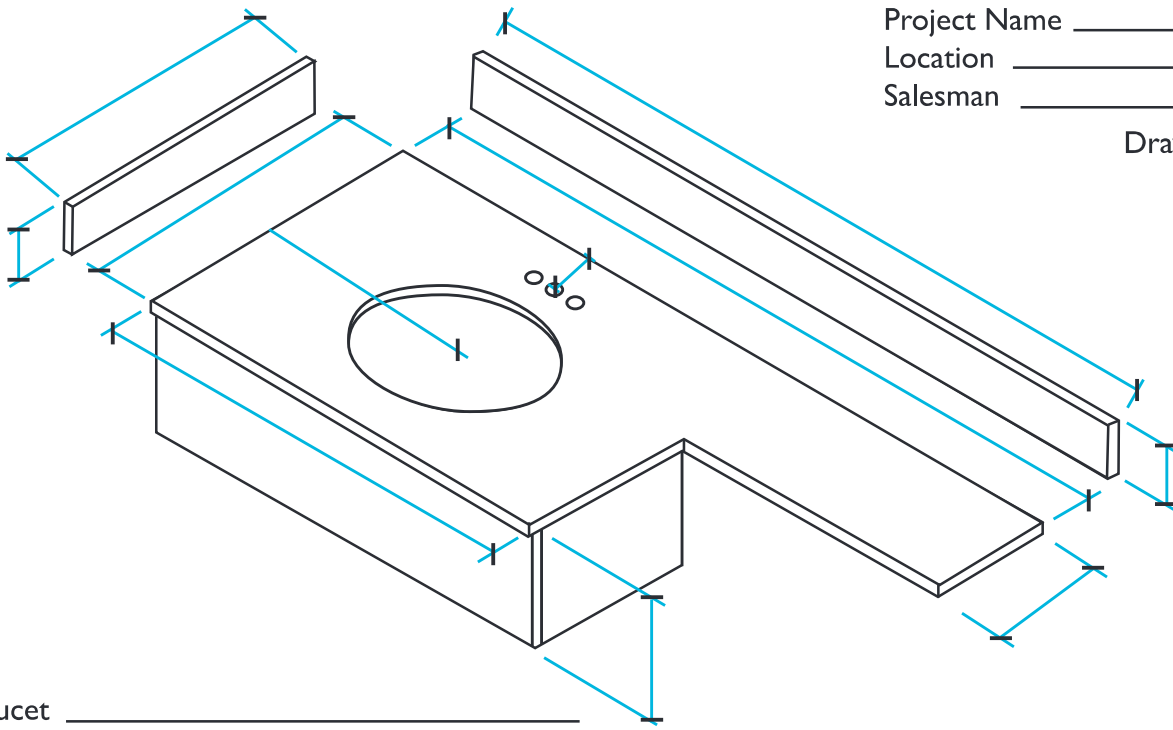


Project Name _____

Location _____

Salesman _____

Drawing # _____



Faucet _____

Edge Detail _____ (mark finished edge with an "x")

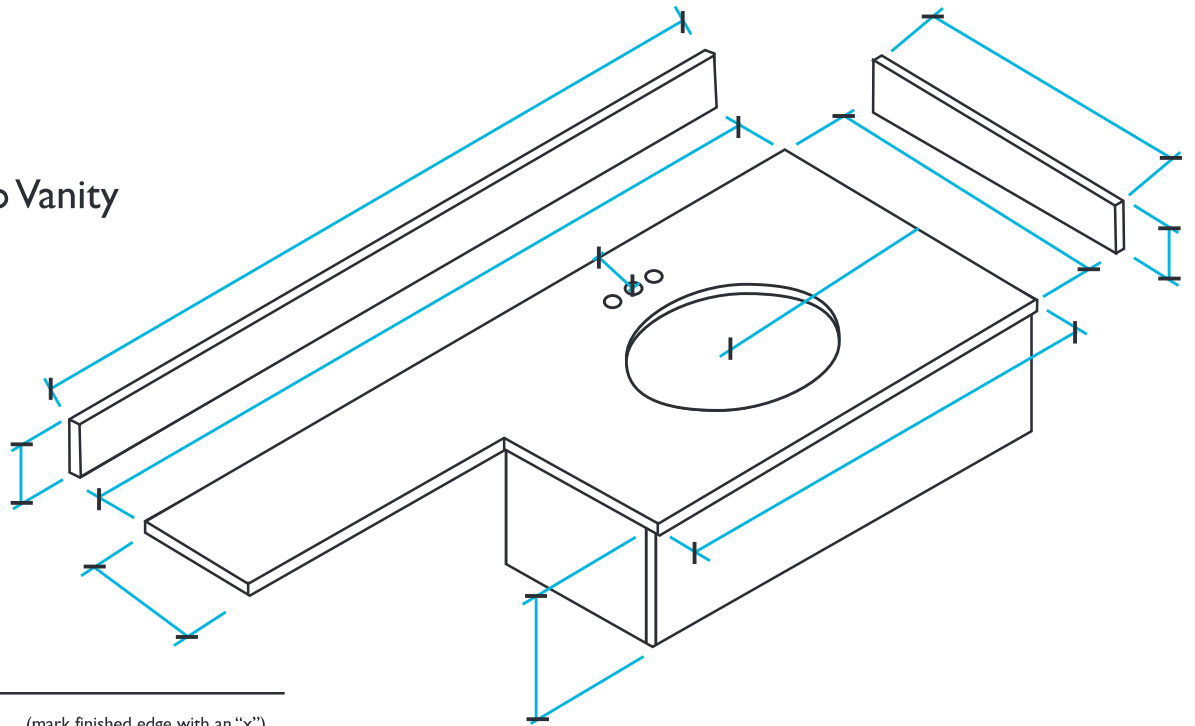
Toilet Paper Dispenser _____

Facial Tissue Dispenser _____

Room# _____

Left Banjo Vanity

Right Banjo Vanity



Faucet _____

Edge Detail _____ (mark finished edge with an "x")

Toilet Paper Dispenser _____

Facial Tissue Dispenser _____

Room# _____